

STUD HEAD DETAIL

EXOAIR TRIO

This drawing to be used for educational purposes only. Details should be reviewed by a certified professional for feasibility.

Rev	Date	Description	By
-	-	-	-

TREMCO®
www.tremco sealants.com

3735 Green Road * Beachwood, OH 44122
Phone : 866-209-2404 * Fax: 216-766-5535

Project: **Illbruck**
Detail: **Stud Head Detail**

Drawn by: **KAB**

Checked by: **XXX**

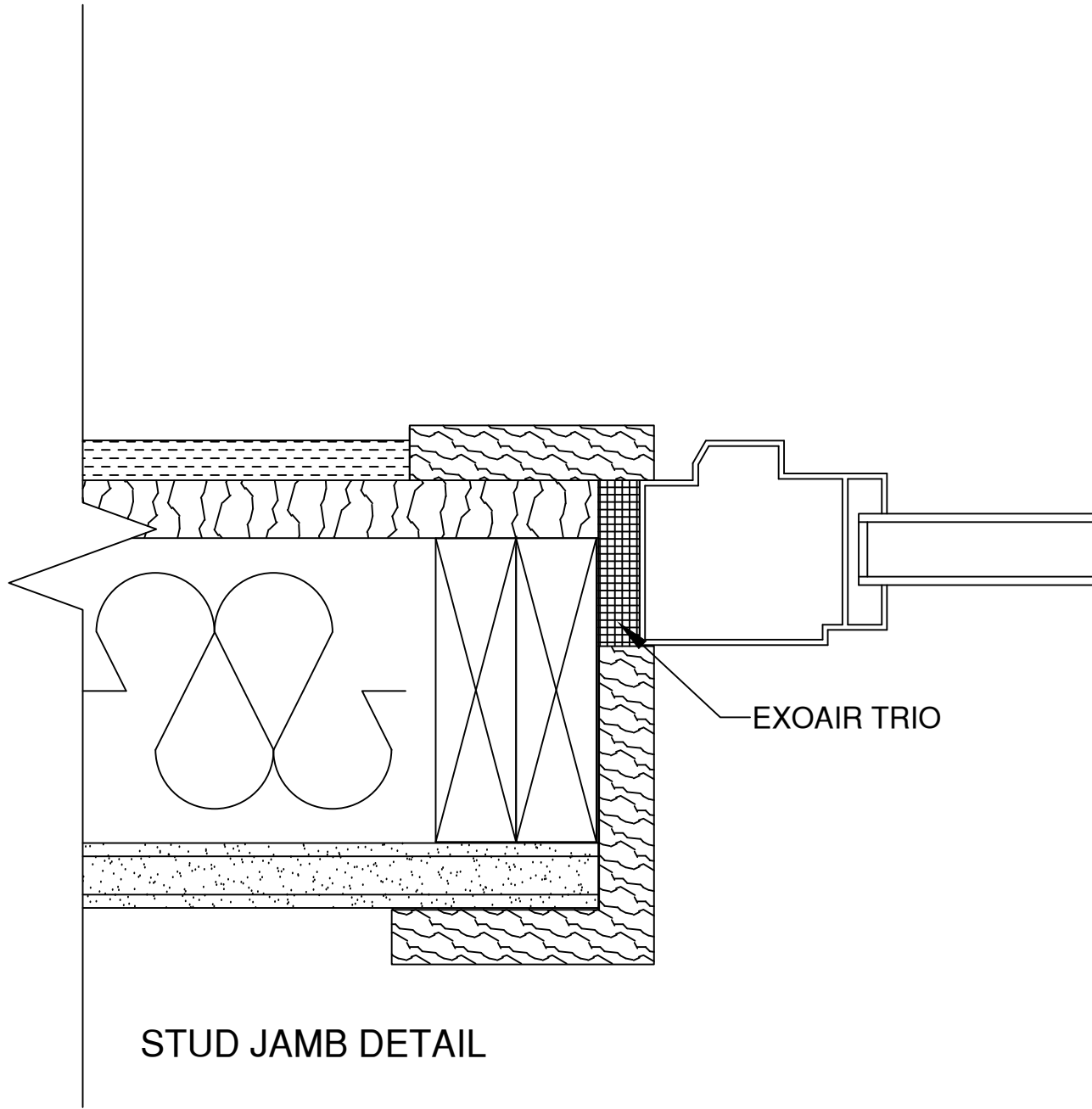
Scale: **None**

Sheet Number:

Date: **11/30/2011**

File Name:
10701

Rev #
00



STUD JAMB DETAIL

EXOAIR TRIO

This drawing to be used for educational purposes only. Details should be reviewed by a certified professional for feasibility.

Rev	Date	Description	By
-	-	-	-



www.tremcosealants.com
 3735 Green Road * Beachwood, OH 44122
 Phone : 866-209-2404 * Fax: 216-766-5535

Project: Illbruck

Detail: Stud Jamb Detail

Drawn by: KAB

Checked by: XXX

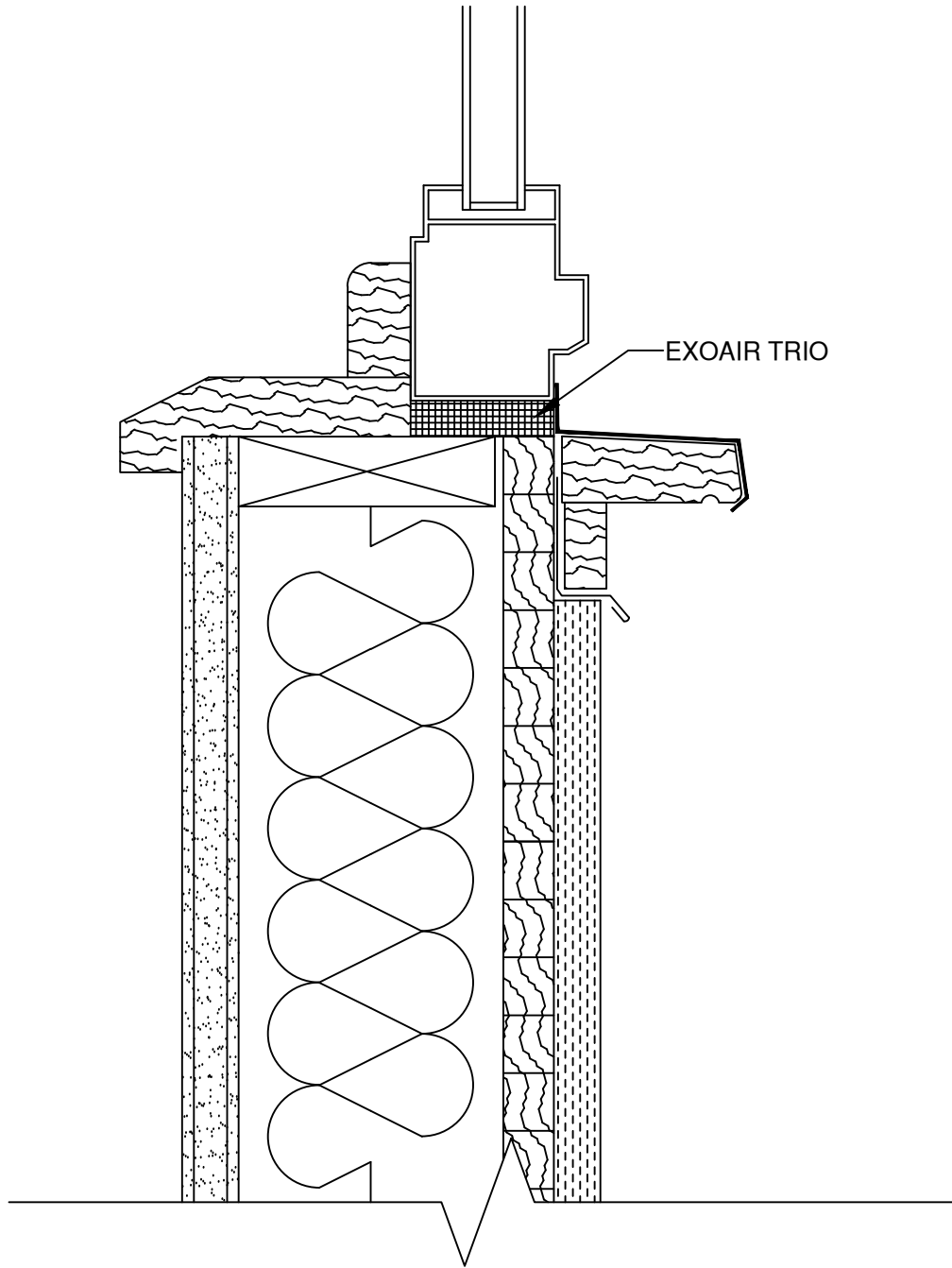
Scale: None

Sheet Number:

Date: 11/30/2011

File Name:
10700

Rev #
00



STUD SILL DETAIL

Rev #
00

File Name:
10702

Sheet Number:
Date: 11/30/2011

Scale: None

Checked by: XXX

Project: Illbruck
Detail: Stud Sill Detail

Drawn by: KAB

TREMCO®
www.tremcosealants.com
3735 Green Road * Beachwood, OH 44122
Phone : 866-209-2404 * Fax: 216-766-5535

This drawing to be used for educational purposes only. Details should be reviewed by a certified professional for feasibility.

Rev	Date	Description	By
-	-	-	-